



VICTORY ENGINEERING & TRADING CO

Florence Teo +6593254448/90053844



Brass, 3/8" NPT Industrial Soft Seat Safety Pressure Relief Valve, Made In The USA (150 PSI / 132 SCFM)

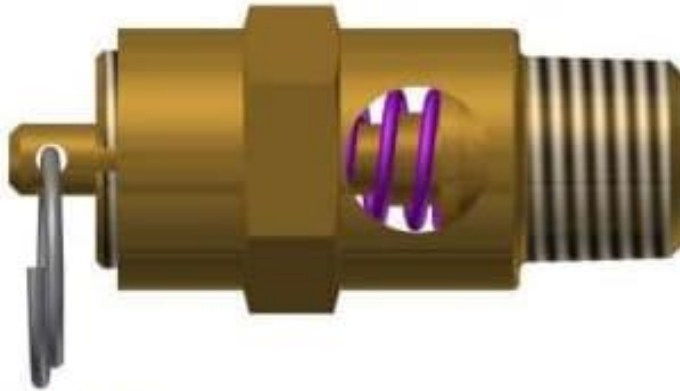
Style Name:150 PSI / 132 SCFM

- This Brass Safety Valve Is Preset At 150 PSI And Has a Flow Rate (SCFM) Of 132
- This Safety Valve Is Made In The USA
- This Safety Valve Has An Operating Temperature Range of -65 Degrees Fahrenheit To 400 Degrees Fahrenheit
- Please Note 3/8" NPT Measures 0.675" Outside thread diameter in inches. See attached NPT Thread chart.
- Other Thread Sizes And PSI Options Are Available. Please Reach Out With Questions.





**Pressure Relief Valve
Model: SRV250**



Set Pressure Range: 25-450 psig

Set Pressure Tolerance: ± 2 psig up to and including 70 psig, $\pm 3\%$ of set pressure greater than 70 psig. As required in paragraph UG-134(d)(1) of the ASME Boiler & Pressure Vessel Code Sec. VIII Div. 1.

**Seat Leakage: Bubble Tight within 5 psig for set pressure 50 psig or less
Bubble Tight within 10% for set pressure greater than 50 psig
As required in paragraph 2.2.3 of API 527.**

Flow Factor (Slope Method): 0.74

Operating Temperature Range: -65° to 400°F

Materials of Construction:

Seat, Cap, Piston: ASTM B16 Brass or ASTM A582 Stainless

Spring: 17-7 Stainless Steel

Seal: Silicone or Viton

Valve Weight: 0.10 lbm

Valve Options:

Valve Material: ASTM B16 Brass or ASTM A582 Stainless

Compliance with European PED 2014/68/EU, "CE" Stamp

Seal: Silicone (25-350 psig @ -65° to 400°F) or Viton (25-450 psig @ -15° to 400°F)

High Pressure Setting 351-450 psi (Valve Weight 0.11 lbm)

Plating: Nickel Plating

Inlet NPT Sizes: 1/8 NPT or BSPT

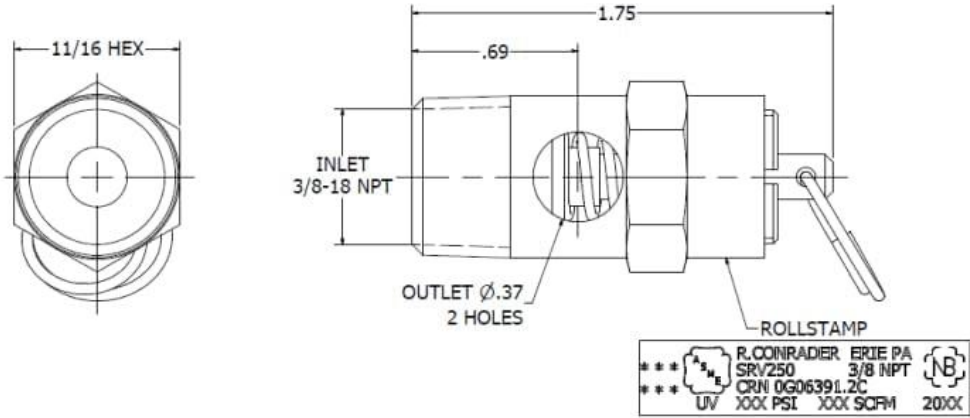
1/4 NPT, BSPT, or BSPP

3/8 NPT, BSPT, or BSPP

Certifications:

ASME Boiler & Pressure Vessel Code Section VIII Division 1

CSA B51-03 Boiler, Pressure, Vessel, and Pressure Piping Code

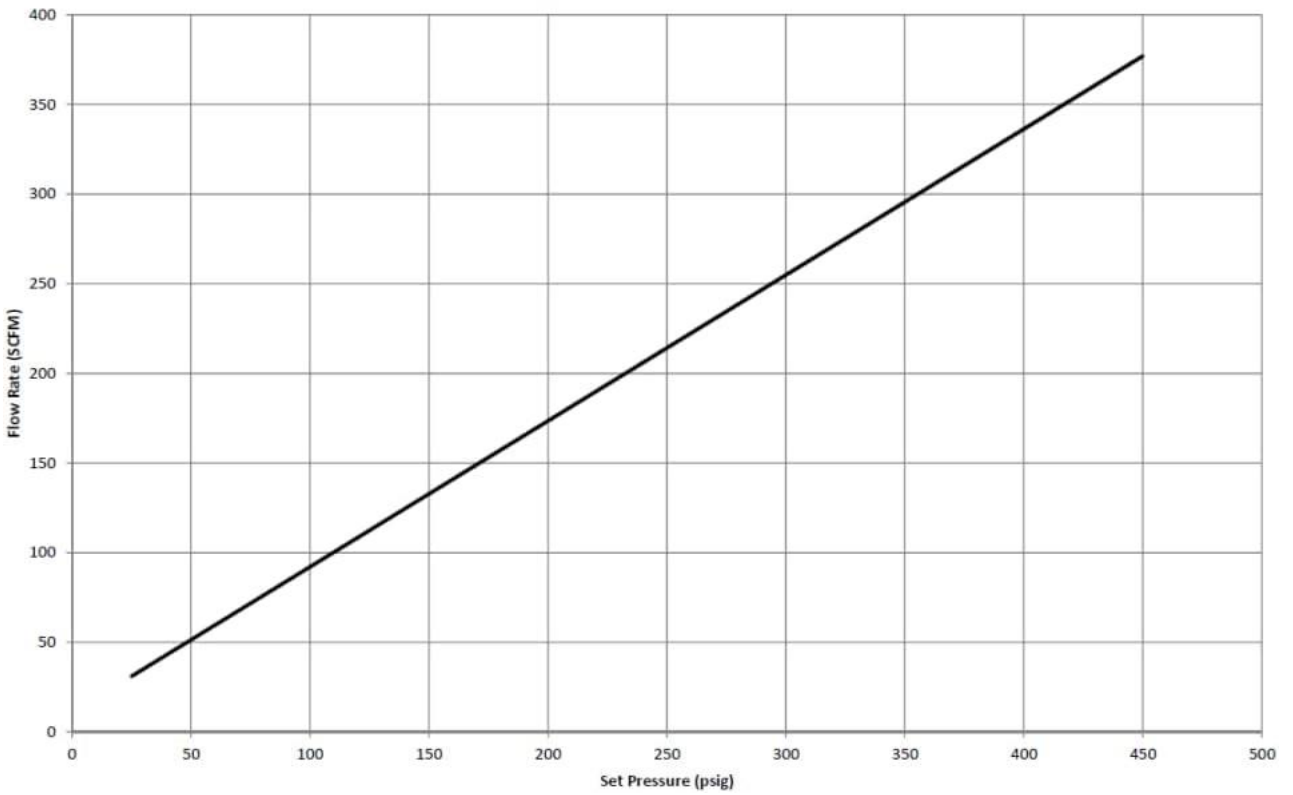


NOTES:

- * OPERATING TEMPERATURE RANGE: -65°F TO 400°F
- * SET PRESSURE RANGE: 25-350 psig
- * SET PRESSURE TOLERANCE: ± 2 psig UP TO AND INCLUDING 70 psig, $\pm 3\%$ OF SET PRESSURE GREATER THAN 70 psig.
- * SEAT TIGHTNESS: BUBBLE TIGHT WITHIN 5 psig FOR SET PRESSURE 50 psig OR LESS. BUBBLE TIGHT WITHIN 10% FOR SET PRESSURE GREATER THAN 50 psig.
- * VALVE WEIGHT: 0.12 lbmass



SRV250 Set Pressure vs. Flow Rate



Technical Details

Manufacturer	Conrader
Part Number	SRV250-38
Style	150 PSI / 132 SCFM
Finish	Brass
Material	Brass
Installation Method	Screw-In
Item Package Quantity	1
Maximum Pressure	150 Pound per Square Inch
Specifications	ASME
Batteries Required?	No
Length	0.69 inches
Width	0.69 inches
Height	1.75 inches
Manufacturer	Conrader
Item model number	SRV250-38
Product Dimensions	1.75 x 1.75 x 4.45 cm; 68 Grams
ASIN	B0B3YB9CVB

Product description

A soft seat safety relief valve typically uses an elastomer material, such as Silicone or Viton. The sealing material in the internals of the valve will depend on the compatibility of media flowing through the valve. This Safety Valve is NOT adjustable. This Safety Valve Is Preset at 150 PSI And Has a Flow Rate (SCFM) Of 132. Conrader safety valves are designed to protect unfired pressure vessels and systems from over pressure in compressed air and gas applications. The valves are not deemed "Lead Free". The soft seat safety valve (SRV-Series) has an elastomer seal. Set Pressure Tolerance: +2 psig up to and including 70 psig, +3% of set pressure greater than 70 psig. Operating Temperature Range: -65 degrees Fahrenheit to 400 degrees Fahrenheit. Materials of Construction: Seat, Cap, Piston: ASTM B16 Brass Spring: 17-7 Stainless Steel Seal: Silicone or Viton. Certifications: ASME Boiler & Pressure Vessel Code Section VIII Division 1 CSA B51 Boiler, Pressure, Vessel, and Pressure Piping Code